


PRODUCT DATA SHEET
QH6258
Our patented 3 dB 90° Hybrid Couplers provide:

- Superior component performance starting at 3:1 Bandwidth.
- Thicker center boards for high power and increased repeatability.
- Bonded structures which eliminate any air gaps between substrates.
- More sections per bandwidth for better coupling flatness.
- Electrically shorter and physically smaller RF components.

Features:

High Power Wide Bandwidths Small Size Connectorized Drop-In & Surface Mount

Electrical Specifications:

Frequency:	400 - 1000 MHz
Power:	1500 W CW
Insertion Loss:	0.3 dB Max.
VSWR:	1.30:1 Max.
Phase Balance:	90° ± 5° Max.
Amplitude Balance:	± 0.75 dB Max.
Isolation:	18 dB Min.

Mechanical Specifications:

Type:	Connectorized
Material:	Aluminum 6061-T6
Surface Finish:	Chem. Film Per MIL-DTL-5541F Type I Class 3 (Yellow Iridite) RoHS Compliant Available
Operating Temperature:	-55°C to +75°C
Storage Temperature:	-60°C to +85°C
Weight:	1.375 lbs.
Size:	5.6 x 2.38 x 1.13"

Connector Configurations:

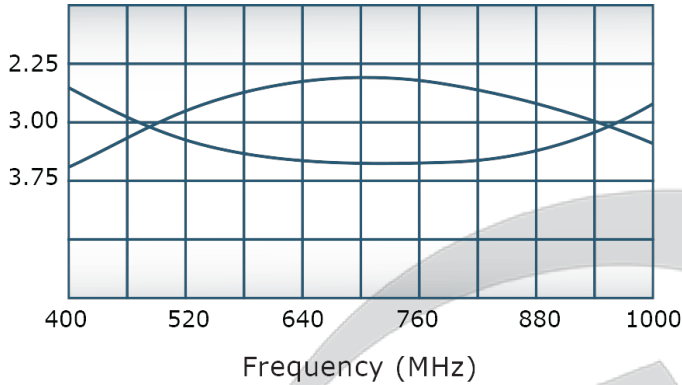
Model	Sum Port (J1)	Inputs (J2, J3) (-90°, 0°)	Ext. Load Port
QH6258-10	N Female	N Female	N Female
QH6258-12	N Female	SMA	SMA
QH6258-20	7/16 Female	N Female	N Female
QH6258-22	7/16 Female	SMA	SMA
QH6258-40	SC Female	SC Female	SC Female
QH6258-41	SC Female	N Female	N Female

Werlatone's breakthrough technology allows us to build our existing line of Broadband 3 dB High Power 90° Hybrid Couplers. Connectorized 3 dB 90° Hybrid Coupler models are available with a choice of connectors. Several of our existing High Power 3 dB 90° RF Couplers are three port designs, wherein the difference port is internally terminated with a high power termination. This eliminates the need for a customer supplied external load for each Hybrid Coupler.

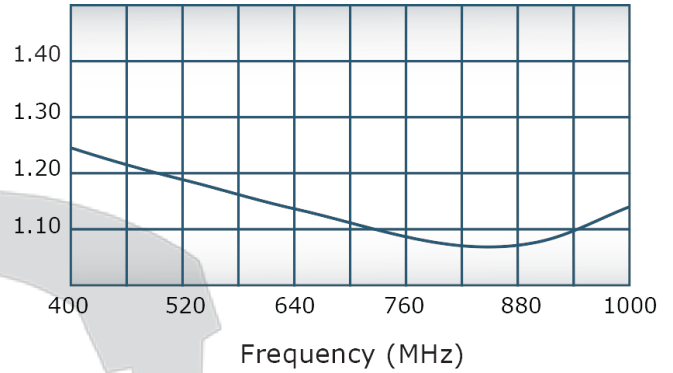


Performance Data (Specifications subject to change without notice):

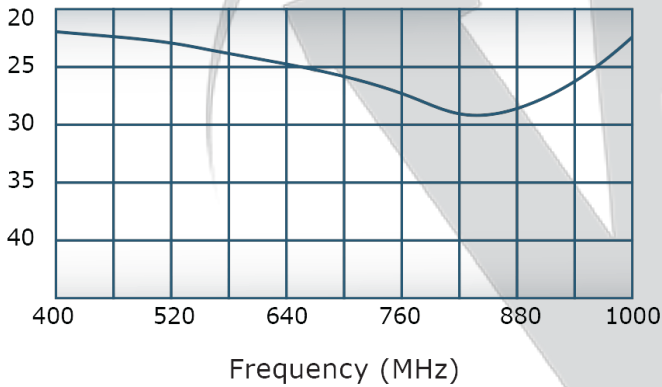
Coupling:



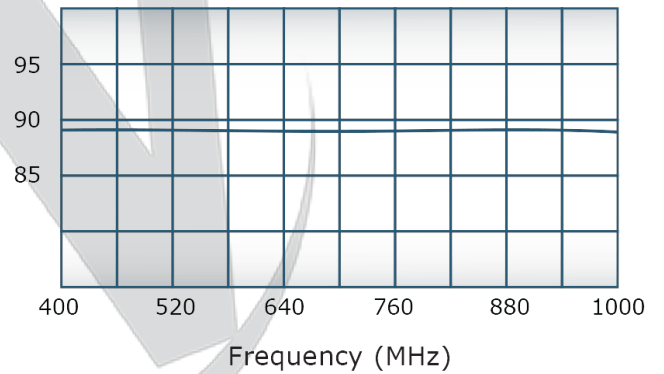
VSWR:



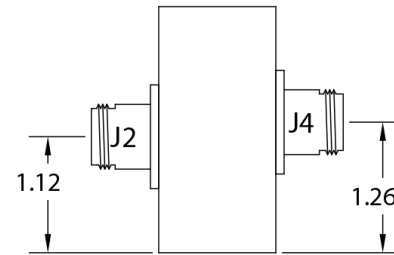
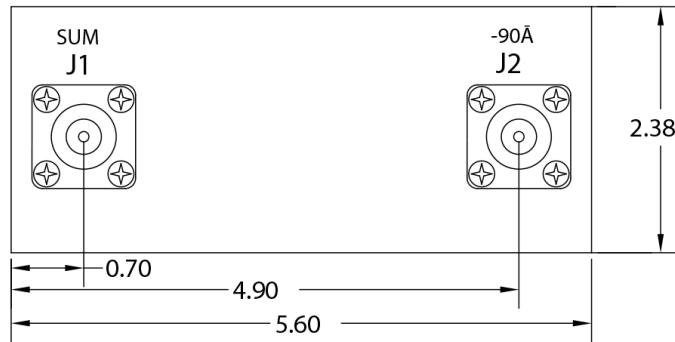
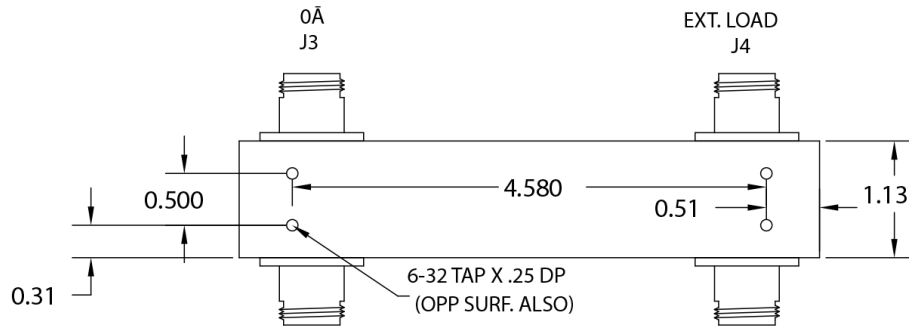
Isolation:



Phase Balance:



DATE	SYM	REVISION RECORD	AUTH	DR	CK
2/27/02	3074	REV. A	RH		CS
1/31/07	4156	REV. B	JE		



THIS DRAWING CONTAINS INFORMATION
PROPRIETARY TO WERLATONE INC. AND
MAY NOT BE USED OR COPIED WITHOUT
THE WRITTEN CONSENT OF WERLATONE INC.

TOLERANCE	WERLATONE INC.		
XX +/- .015 XXX +/- .005	USED ON:	SCALE	DRAWN BY: RH
			APPVD BY:
X	TITLE OUTLINE		
	DATE 1/22/02	DRAWING NUMBER 10795-500	

Restriction on use, duplication, or disclosure of proprietary information. This document contains proprietary information which is the sole property of Werlatone, Inc.
Werlatone, Inc. 17 Jon Barrett Road Patterson, NY 12563 T:(845)278-2220 F:(845)278-3440 sales@werlatone.com www.werlatone.com