



**PRODUCT DATA SHEET**

**WPM11681**

**Instantaneous & Simultaneous**

- Local and/or Remote Monitoring
- Forward Power Reading/Monitoring (Watts or dBm)
- Reverse Power Reading/Monitoring (Watts or dBm)
- VSWR Readings (Watts, Return Loss, Rho)

**VSWR Alarm**

- Customer can set up audio/visual alarm via relay contacts.
- Signal sent to closed loop.

**Temperature Monitoring (with alarm)**

- One sensor, internal measurement, within Power Meter.
- One sensor, external measurement, to be placed by customer.

**General Purpose Inputs (6 ea) Multiple Use**

- Track switch closures (assign to interlock group).
- Trigger alarm relay (sends email alert).
- RF presence status/alarm (safety feature).
- Alarm, activated switch.

**Accessories:**

- Single Channel and Multi-Channel Displays
- RF Digital Dashboard Spreadsheet Software, (Simultaneously Monitor Outputs of 30+ Power Meters)
- PC Based Graphical User Interface Windows XP/7/8/10 Compatible

**Electrical Specifications:**

Frequency: 2 - 128 MHz  
 Power: 10,000 W CW

**Calibrated to Exact Frequencies:**

2.0 MHz      13.56 MHz      27.2 MHz  
 60.0 MHz      127.12 MHz

**Connector Configurations:**

Model	Input(J1)	Output(J2)
WPM11681-502	SQS Female	SQS Female
WPM11681-7502	SQS Male	SQS Female
WPM11681-QC-2	QC Block	QC Block

**Accuracy:**

- ± 1% to Customer Calibration Standard, at preselected frequencies.
- ± 5% over a Multi-Octave Bandwidth
- Werlatone Calibration Traceable to (NIST) National Institute of Standards and Technology

**Power:**

- AC Power Adapter (100/240 50-60 Hertz V AC)
- POE (Passive Over Ethernet, Optional POE Injector Kit Available)
- Via RS485 (Via Single Channel or Multi-Channel Displays)

**Interface (Via):**

- TCP/IP - SNMP and Browser Interface via Local Area Network
- RS232, Serial
- RS485 - Form Addressable Serial Network
- User ID and Password Protected for Access and Control
- Multiple units can be Networked and Simultaneously Monitored On-Site or Remotely (TCP/IP/SNMP/Serial)

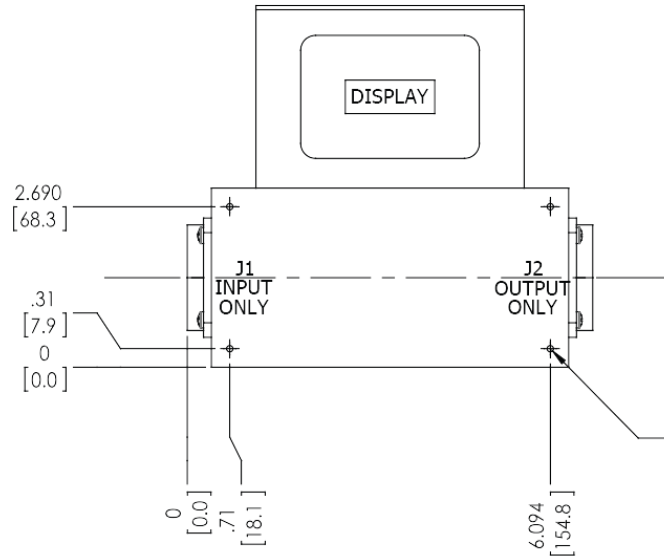
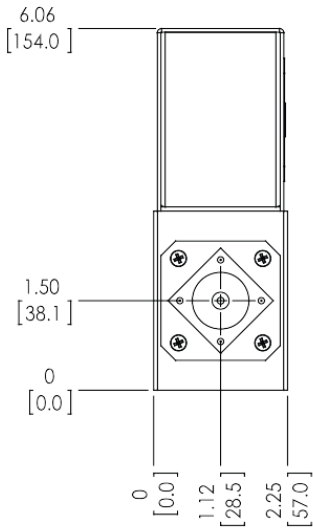
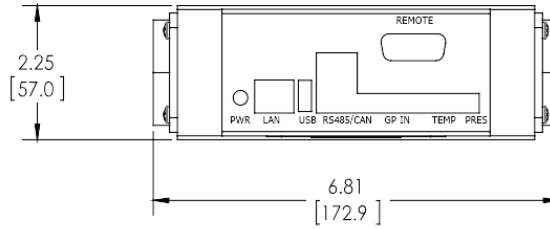
RoHS Compliant Design Available  
 Custom Connector Configurations Available

**Mechanical Specifications:**

Type: Connectorized  
 Operating Temperature: -55°C to +75°C  
 Storage Temperature: -60°C to +85°C

**RESTRICTION ON USE, DUPLICATION OR DISCLOSURE OF PROPRIETARY INFORMATION**  
 This document contains proprietary information which is the sole property of Werlatone, Inc.

REVISION HISTORY			
REV.	REVISION RECORD	DATE	APPROVED
-	INITIAL RELEASE	2/12/2018	CS



4X Ø .11 [2.7] .25 [6.4]  
 6-32 UNC - 2B .28 [7.0]  
 FAR SIDE

UNLESS OTHERWISE SPECIFIED		DWN	PLP	DATE	2/9/2018	<b>WERLATONE SINCE 1965</b> 17 Jon Barrett Rd Patterson, NY 12563
• INTERPRET DRAWING IN ACCORDANCE WITH ASME Y14.5-2009 • DIMENSIONS ARE IN INCHES (mm) • DIMENSIONAL LIMITS APPLY BEFORE PROCESSES • TOLERANCES: ANGLES ± 2° 3 PL ± .005 (13) 2 PL ± .015 (4) • REMOVE ALL BURRS AND SHARP EDGES 0.01 MAX • CONCENTRICITY MACHINED DIA. 002 F2M • MACHINE TOOL INDICATOR 002 MAX		CHK	CS	DATE	2/9/2018	
NEXT ASSY USED ON		ENGR		DATE		TITLE
APPLICATION		INFR		DATE		<b>OUTLINE</b>
THIRD ANGLE PROJECTION		QA		DATE		SIZE CAGE CODE DWG NO
		RELE		DATE		B 28812 21583-500
						SCALE 1:2
						REV -
						SHEET 1 OF 1

**Restriction on use, duplication, or disclosure of proprietary information.** This document contains proprietary information which is the sole property of Werlatone, Inc.  
 Werlatone, Inc. 17 Jon Barrett Road Patterson, NY 12563 T:(845)278-2220 F:(845)278-3440 sales@werlatone.com www.werlatone.com